

TULLUgreen®

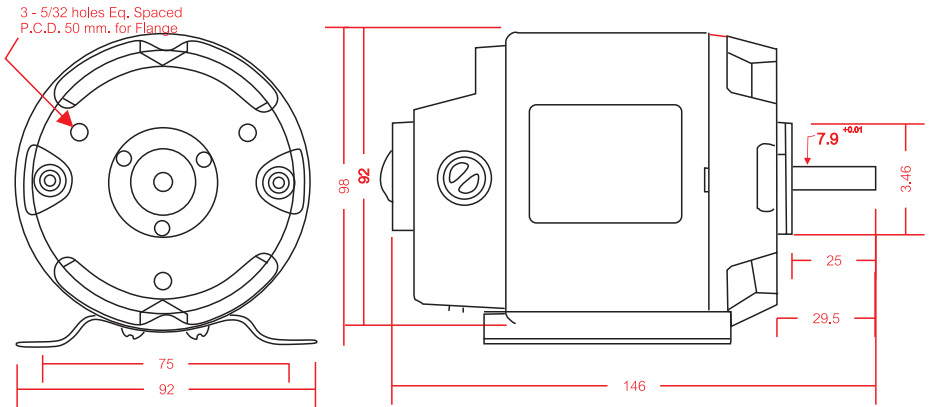
Original since 1960 and THE BEST



FRACTIONAL HORSEPOWER MOTORS (AC/DC)
(1/40 H.P. to 1/6 H.P.)

FRACTIONAL HORSEPOWER MOTOR (AC/DC)

0.062, 0.050, 0.038 KW Cont. Rating & 0.075 Intermittent Rating motor Dimensions



All dimension in MM.

Model	Power	R.P.M. (on load)	Motor Type	Rating (class)
JBK	0.019 kW (1/40)	1600	AC/DC	Cont.
JB	0.019 kW (1/40)	2400	AC/DC	Cont.
GB	0.038 kW (1/20)	4000	AC/DC	Cont.
MB	0.038 kW (1/20)	4000	AC/DC	20 min. Intt.
CB	0.050 kW (1/15)	4000	AC/DC	Cont.
CBR	0.050 kW (1/15)	5000	AC/DC	Reversible & Cont.
TCB	0.062 kW (1/12)	6000	AC/DC	Cont.
TES	0.062 kW (1/12)	6000	AC/DC	15 min. Intt.
BBO	0.075 kW (1/10)	8000	AC/DC	20 min. Intt.
XB	0.075 kW (1/10)	6000	AC/DC	Cont.
XBMS	0.093 kW (1/8)	8000	AC/DC	20 min. Intt.
SPB	0.125 kW (1/6)	6000	AC/DC	Cont

APPLICATIONS

TULLU Green F.H.P. Universal Motors are precision engineered and manufactured for trouble - free operation, longer life and are most suitable for monoblock pumps, mixers, grinders, scientific instruments, stirrers, medical use such as dental equipments and bone cutting machines, centrifuges, bag closing machines etc.



U.P. National Mfrs. Ltd.

C 26/34 -B-C, Shree Dham Commercial Complex Ramkatora Road, Varanasi - 221002. U.P. INDIA
Tel: +91 542 3290885/9935590565 fax: +91 542 2591373 email: upnm@tullu.com