

# TULLUgreen®

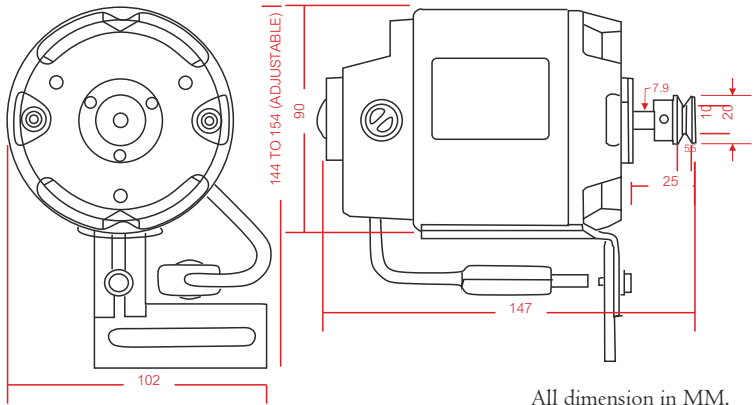
Original since 1960 and THE BEST



SEWING MACHINE MOTOR (AC/DC)  
( 1/8 , 1/12, 1/16 H.P. )

# SEWING MACHINE MOTOR DIMENSION

## Deluxe Commercial I/12 H.P.



All dimension in MM.

Range	Supply	Power	Rating	RPM (on load)
Deluxe Commercial with Foot Speed Regulator	230V AC/DC	0.062 kW I/12 H.P.	Cont.	7500
Super Delux Commercial with Foot Speed Regulator	230V AC/DC	0.093 kW I/8 H.P.	Cont.	8500
Domestic with foot Speed Regulator	230V AC/DC	0.046 kW I/16 H.P.	Intt.	7500

### CONSTRUCTIONAL FEATURES

- Motor body and covers made of Aluminum alloy
- Necessary accessories such as Bracket, V-Belt, Base Plate supplied free of cost.
- Modified Polyester Class H winding wires in Stator & Armature for Long life

### TECHNICAL DATA

(Internal Fan Cooled) Class 'E' Insulation  
Continuous Rating (Rating S8) Single phase AC/DC  
Standard Voltage: 230V AC, 50 Hz/230V AC/DC  
R.P.M.(on rated load) : 7500 (I/12 , I/16 H.P.)  
8500 (I/8 H.P.)

### APPLICATIONS

TULLU Green Sewing Machine Motors are used very efficiently for Domestic Sewing Machines, Tailoring Houses, Embroidery Machines, Zig - Zag Machines, Umbrella Stitching Machines, Leather Stitching Machines, Interlock Machines, Over Lock Machines, Cloth cutting machines, Coil winding Machines, Ready-made Garment Manufacturing units, Dental and Bone Equipment, Bag Stitching Machines etc.

1400 Stitches per Minute



U.P. National Mfrs. Ltd.

C 26/34 -B-C, Shree Dham Commercial Complex Ramkatora Road, Varanasi - 221002. U.P. INDIA  
Tel: +91 542 3290885/9935590565 fax: +91 542 2634026 email: upnm@tullu.com